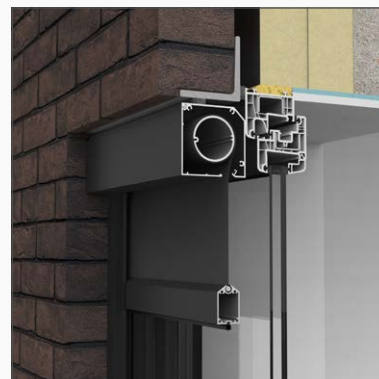


Technical data

Design	
Head box dimensions (H x D)	85 × 85 mm
Head box extension	-
Square	✓
Retractable bottom bar	-
Base plate side guiding channel	At an angle of 0°
Wind resistance	
Wind classification EN 13561:2004+A1:2008	3
Guaranteed wind resistance	Up to 130 km/h in closed position
Control	
Detecto Rensonmotor Safety First	✓
Rensonmotor electronic	✓
Somfy mechanic motor	-
Rensonmotor radio-controlled	✓
Somfy io radio-controlled	✓
Somfy Maestria io	-
Rensonmotor radio-controlled, solar	✓



Fixscreen Go IM 1



Fixscreen Go IM 1, solar

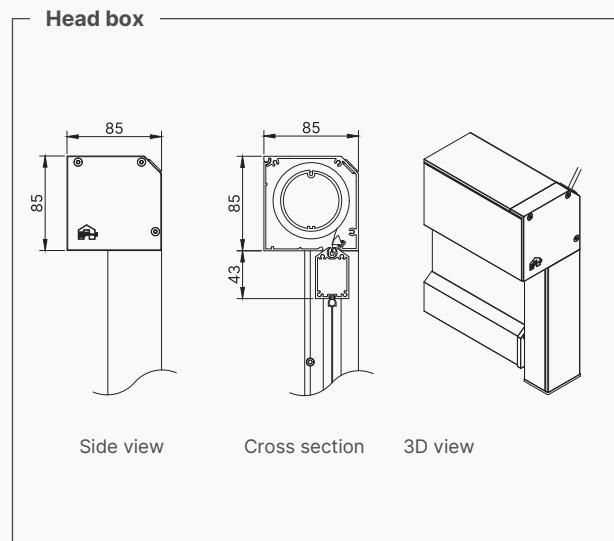
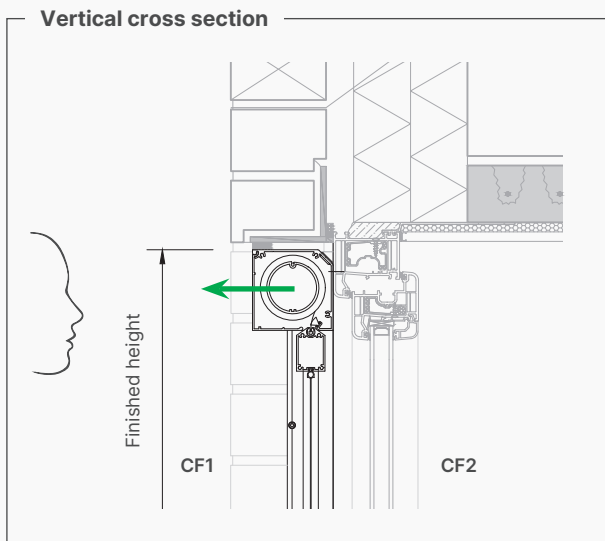
Dimensions

Dimensions single screen				
Fibre glass fabric Sergé	Min. width	Rensonmotor electronic	730 mm	
		Rensonmotor radio-controlled		
		Max. width	Detecto Rensonmotor Safety First	650 mm
			Somfy io radio-controlled	
	Max. height	Rensonmotor radio-controlled, solar	850 mm	
		Max. surface		3000 mm
Blackout fibre glass fabric Satiné 21154	Max. height		2500 mm	
	Max. surface		7.5 m ²	
	Min. width		900 mm	
	Max. width		3000 mm	
	Max. height		2500 mm	
	Max. surface		7.5 m ²	

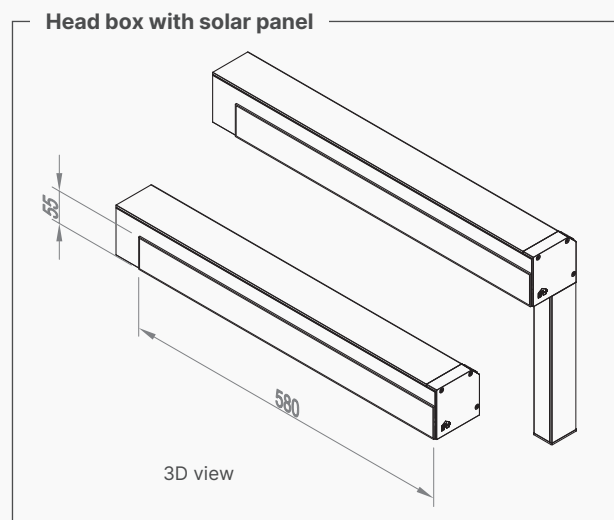
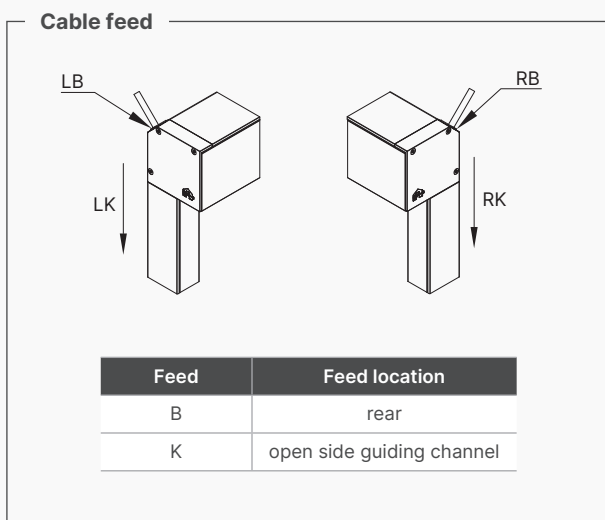
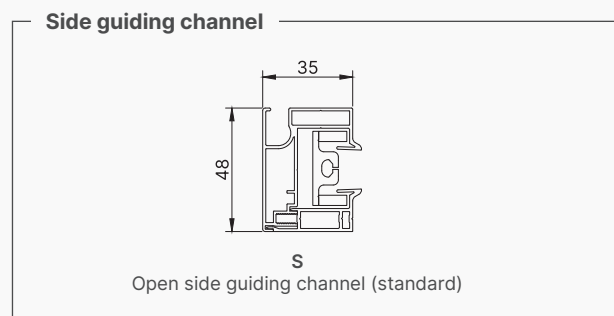
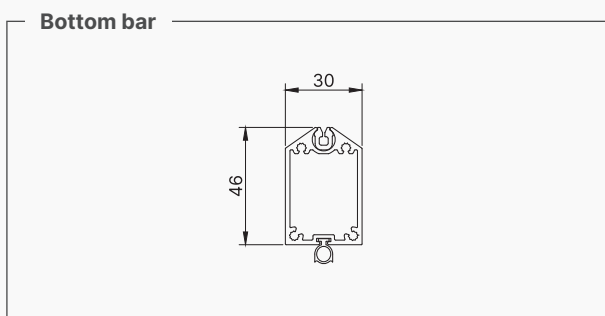
Durability

Technology	
Fixscreen-technology	✓
Smooth-technology	✓
Click&Safe-technology	✓
Connect&Go-technology	-
Certificates	
Declaration of Performance (DoP)	DOP-EN 13561:2004+A1:2008
Wind tunnel test report	N°113-25809
Warranty	
10 year warranty on coating of aluminium profiles	✓
7 year warranty on Fixscreen-technology	✓
7 year warranty on Detecto Rensonmotor Safety First	✓
5 year warranty on electronic controls (motor & automation)	✓
5 year product warranty	✓
5 year warranty on fabric collection	✓
5 year warranty on gloss level	✓

Technical drawings



Viewing direction determines selection option cable feed left or right
 Direction in which fabric set should be demounted



The solar panel is always mounted (left or right) on the head box.